

**LUCAS**  
*Quality*  
**EQUIPMENT**  
&  
**SPARE PARTS**



**1959**  
**ENFIELD**  
**MOTOR CYCLES**

**JOSEPH LUCAS (SALES & SERVICE) LTD · BIRMINGHAM 18 · ENGLAND**



# EQUIPMENT SPECIFICATIONS AND PAGE INDEX

## EQUIPMENT SPECIFICATIONS AND PAGE INDEX

UNIT	See page	250 c.c. "Clipper"		250 c.c. "Crusader" 250 c.c. "Crusader" "Sports"		350 c.c. "Clipper"		350 c.c. "Bullet" 350 c.c. "Madras" 500 c.c.		500 c.c. "Meteor Minor" (Twin cylinder)		700 c.c. "Super Meteor" 700 c.c. "Constellation" (Twin cylinder)	
		Model	Part No.	Model	Part No.	Model	Part No.	Model	Part No.	Model	Part No.	Model	Part No.
ALTERNATOR ...	4	RM13	047519B	RM13	047519B	RM14	047521E	RM14	047521E	RM14	047521E	RM14	047521E
(later) ...	4	—	—	—	—	RM15	047531A	RM15	047531A	RM15	047531A	RM15	047531A
AMMETER ...	6	CZU27	36084F	CZU27	36084F	CZU27	36084F	CZU27	36084F	CZU27	36084F	CZU27	36084F
BATTERY ...	—	PU5E-11	—	PU5E-11	—	PU7E-11	—	PU7E-11	—	PU7E-11	—	PU7E-11	—
(later) ...	—	PU7E-11	—	PU7E-11	—	—	—	—	—	—	—	—	—
CABLE HARNESS ...	—	—	838681	—	54940814A	—	839870	—	838481	—	839870	—	54940814A
COIL, IGNITION ...	4	MA6	45077B	MA6	45077B	MA6	45077B	—	—	MA6	45077B	—	45077B
CONTACT BREAKER ...	3	CA1A	47571D	CA1A	47571D	—	—	—	—	—	—	—	—
DISTRIBUTOR ...	4	—	—	—	—	15D1	40466B	—	—	—	—	18D2	40610A
HORN ...	6	HF1849	70142B	HF1849	70147B	HF1234	069424H	HF1234	069424H	HF1849	70142B	HF1234	069424H
HORN PUSH AND DIPPER SWITCH ...	6	25SA	31563D	25SA	31563D	25SA	31563D	25SA	31563D	25SA	31563D	25SA	31563D
LAMPS													
Home and export, vertical dip ...	5	MCF700	50943E	MCF700	50943E	MCF700	50943E	MCF700	50943E	MCF700	50943E	MCF700	50943E
Home and export, "Airflow" ...	5	F700	58258A	F700	58258A	F700	58258A	F700	58258A	F700	58258A	F700	58258A
Export Europe (not France) ...	5	MCF700	51112D	MCF700	51112D	MCF700	51112D	MCF700	51112D	MCF700	51112D	MCF700	51112D
Export France ...	5	MCF700EF	51134D	MCF700EF	51134D	MCF700EF	51134D	MCF700EF	51134D	MCF700EF	51134D	MCF700EF	51134D
Pilot ...	5	550	52234A	550	52234A	550	52234A	550	52234A	550	52234A	550	52234A
Stop tail, number plate and reflex ...	5	564	53394B	564	53394B	564	53432B	564	53432B	564	53432B	564	53432B
MAGNETO ...	3	—	—	—	—	—	—	SR1	42330B	—	—	SR2	*42364B
Auto advance units ...	3	—	—	—	—	—	—	—	47556B	—	—	—	*47553B
MAGNETO ...	4	—	—	—	—	—	—	—	—	—	—	K2F	†42369A
RECTIFIER ...	4	—	47111A	—	47111A	—	47111A	—	47111A	—	47111A	—	47111A
SWITCHES													
Ignition ...	6	PR1	34093B	PR1	34093B	PR1	34093B	—	—	PR1	34093B	PR1	34093B
Lighting ...	6	U39	31491A	U39	31784A	U39	31491A	U39	31491A	U39	31491A	41SA	31784A
Magneto cut-out (when fitted) ...	6	—	—	—	—	—	—	—	—	—	—	4A	76204A
Stop lamp (when fitted) ...	6	22B	31437D	22B	31437D	—	—	22B	31437D	22B	31437D	22B	31437B
Spring (when fitted) ...	6	—	315714	—	315714	—	—	—	315714	—	—	—	315714

**Notes:** On the Ensign and Prince, Lucas Horn—Model HF1950. Part No. 70145D is fitted.  
 On the 350 c.c. and 500 c.c. Trials and Scrambles Bullet, Lucas Magneto—Model KNR1, Part No. 42349D is fitted.  
 \*Only on earlier Meteors for Sidecar use †Constellation



## MAGNETO

Part No. Model ...	42330A/B SR1 Mk. IIA
<b>Detailed Parts</b>	
§Cover ...	490646
§Gasket, rubberised cork	458194
Screw, cover fixing, short	144406
Screw, cover fixing, long	145389
Terminal, low tension	144426
Bush, low tension terminal	458028
§Condenser ...	492342
§Contact set ...	458053
Plate, contact breaker	490895
§Bearing, contact breaker end	189289
§Cup, bearing insulating	451378
Shim, contact breaker plate packing, .003"	458044
Shim, contact breaker plate packing, .005"	458045
Shim, contact breaker plate packing, .010"	458046
§Cam ...	458020
§Nut, shaft ...	170109
Washer, shaft nut	140074
Magnetic rotor	490859
§Bearing, drive end	189291
§Cup, bearing insulating	451379
§Oil seal ...	459031
§Coil, wound ...	493805
Screw, terminal	102494
Bush, insulating terminal	492468
Washer, insulating terminal	171714
§Sundry parts, set	490663

## MAGNETO

Part No. Model ...	42364A/B SR2 Mk. IIA
<b>Detailed Parts</b>	
§Cover ...	491483
§Brush and spring ...	404435
Screw, cover fixing, captive	144769
Screw, cover fixing, captive (2 off)	491168
§Gasket, rubberised cork	458194
§Rotor arm ...	492979
Terminal low tension, square head	144426
Bush, low tension, terminal	458028
§Condenser ...	492342
§Contact set ...	458053
Plate, contact breaker	491488
§Bearing, contact breaker end	189289
§Cup, bearing insulating	451378
Shim, contact breaker plate packing, .003"	458044
Shim, contact breaker plate packing, .005"	458045
Shim, contact breaker plate packing, .010"	458046
§Cam ...	458021
§Nut, shaft ...	170109
Washer, shaft nut	140074
Magnetic rotor	492147
§Bearing, drive end	189291
§Cup, bearing insulating	451379
§Coil, wound ...	493805
Terminal, cut-out	407019
Bush, insulating, cut-out terminal	492468
Pad, insulating, cut-out terminal	491335
Strip, cut-out	490709
Cover, rubber, cut-out terminal	490710
§Seal, oil ...	459031
Set of parts, for cut-out switch conversion	491264
§Sundry parts, set	490665

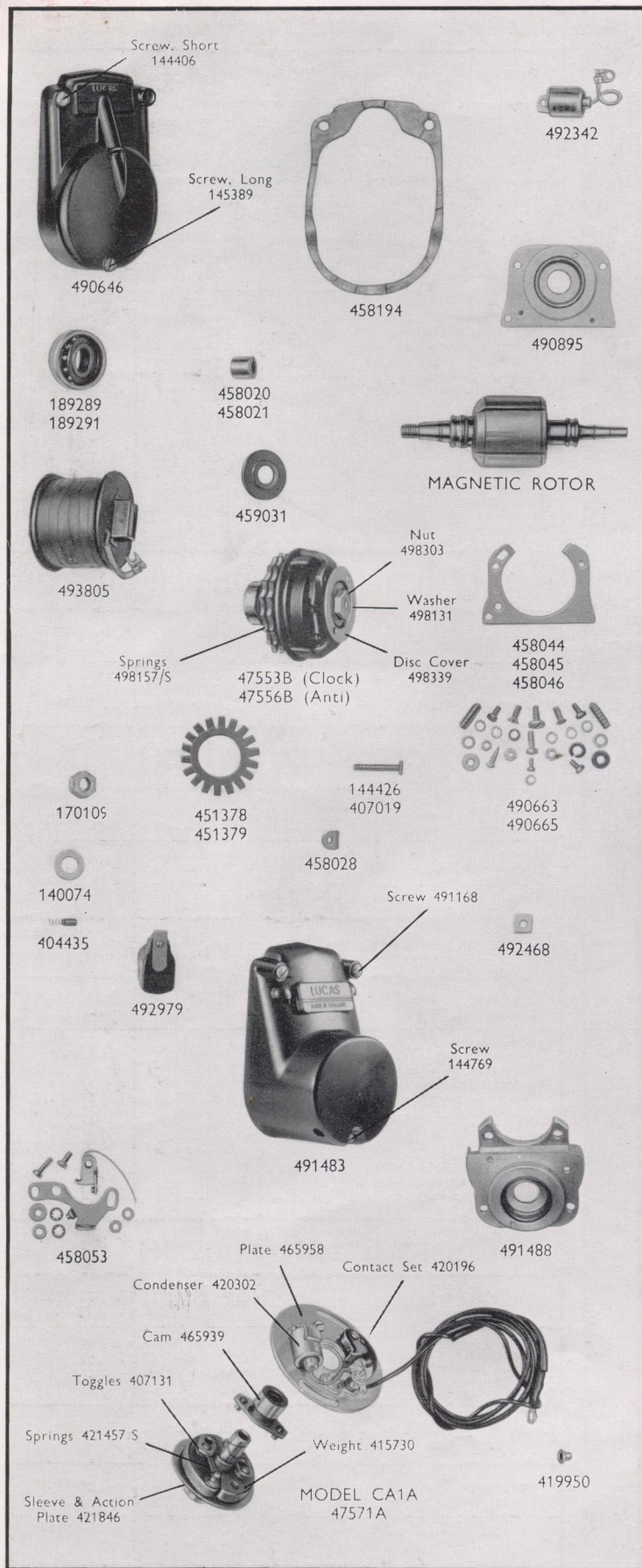
## AUTO ADVANCE UNITS

Part No.	47553B Clock 47556B Anti-clock
<b>Detailed Parts</b>	
Washer, cover clip	498131
Washer, disc cover	498339
§Spring, set	498157/S
Nut, fixing	498303

## CONTACT BREAKER UNIT

Part No. Model ...	47571A CA1A
<b>Detailed Parts</b>	
Plate assembly	465958
Nut, terminal	166094
Washer, plain, terminal	131023
Washer, insulating, terminal	161353
Bush, terminal	419950
§Contact set	420196
§Condenser	420302
§Cam	465939
§Spring set, auto-advance	421457/S
§Toggles	407131
§Weight	415730
§Sleeve and action plate	421846

§Recommended spares for stock





## MAGNETOS

Part No. Model	42349D KNC1	42369A K2F
Clip, pick-up cover	455733	—
Cover, pick-up (rubber)	457810	—
§Pick-up	456794	*458367
§Pick-up	—	458368
§Brush and spring, pick-up	451260	451260
§Nut, securing, high tension cable	410600	410600
§Washer, seating, pick-up	455622	458346
§Cover, contact breaker	459199	458619
§Ring, sealing contact breaker cover	457681	—
§Bolt, securing breather cap	459198	—
§Cap, breather or baffle	459194	—
§Nut, securing cut-out cable	—	458622
§Screw, fixing contact breaker	455233	122160
§Contact breaker	470534	470533
§Contact set	470609	470608
§Springs, set, contact actuating	470688	470688
§Bush, insulating, C.B. fixing screw	470555	470555
§Brush and spring, C.B. earthing	470537	470537
§Clip, securing control set rubber cover	455734	—
§Control set, advance and retard	459305	463107
§Cover, control set (rubber)	454475	454475
§Plunger, controlling cam	493304	454969
§Nipple, control cable	455788	455788
§Cam	459321	458855
§Pin and spring, securing C.B. cover	—	458613
§Plate, housing contact breaker	459313	493747
§Cup, insulating beating	463932	451379
§Screw, cam timing	463931	463931
§Pin, cam timing screw	186060	186060
§Shim, .005" thick, packing C.B. housing	452907	458356
§Nut, securing gear or sprocket	170109	170109
§Washer, gear securing nut	140074	140074
§Armature	493176	459142
§Slip ring	464277	454497
§Bolt, through fixing	101270	454497
§Condenser	454415	458514
§Thrower, oil	463944	—
§Washer, oil thrower (linen)	164334	—
§Collar, spacing	455340	455340
§Bearing, contact breaker end	189294	189294
§Bearing, driving end	189294	189294
§Brush, spring and holder, earthing	455191	455191
§Brush and spring, earthing	455190	455190
§Pin and spring, securing pick-up	—	458370
§Seal, oil bearing	459031	459002
§Cup, insulating, driving end bearing	463932	459005
§Sundry parts, set	454697	458675

## ALTERNATORS

Part No. Model	†047519B RM13	†047521E RM14	†047531A RM15
§Rotor assembly	466125	466230	423506
§Stator	468678	466168	469427
§Clip, cable	465717	465717	465717
§Pad, insulating	465918	465918	465918
§Screw, cable clip fixing	186092	186092	186092
§Washer, fixing screw	128013	128013	128013
‡Rectifier	47111A	47111A	47111A

## DISTRIBUTORS

Part No. Model	40466B 15D1	40610A 18D2
§Plate, securing, distributor	406105	420151
§Screw and nut, securing	401119	415087
§Cap, distributor	421112	425049
§Brush and spring	—	404435
§Grommet, cap (rubber)	—	421554
§Clip, cable contact	—	421863
§Rotor arm	—	423486
§Terminal, low tension	405314	123154
§Bush, insulating, shaped	421109	423110
§Bush, insulating, plain	421102	423109
§Connector, terminal to condenser	—	423108
§Condenser	421327	421748
§Cover, condenser (rubber)	—	421569
§Contact set	421106	425219
§Plate, contact breaker base	—	425219
§Cam	—	423113
§Spring, auto-advance, set	422659	425598
§Weight	422655/S	425512/S
§Shaft and action plate	421056/S	421056/S
§Collar, shaft	422584	425596
§Clip, cap retaining	422650	—
§Bush, bearing	421561	424158
§Sundry parts, set	419645	423121

## IGNITION COIL

Part No. Model	45077B MA6
§Grommet, rubber	421554
§Clip, cable contact	421863
§Nut, switch and contact breaker terminal	166043
§Washer, shakeproof	188330
§Washer, plain	131023

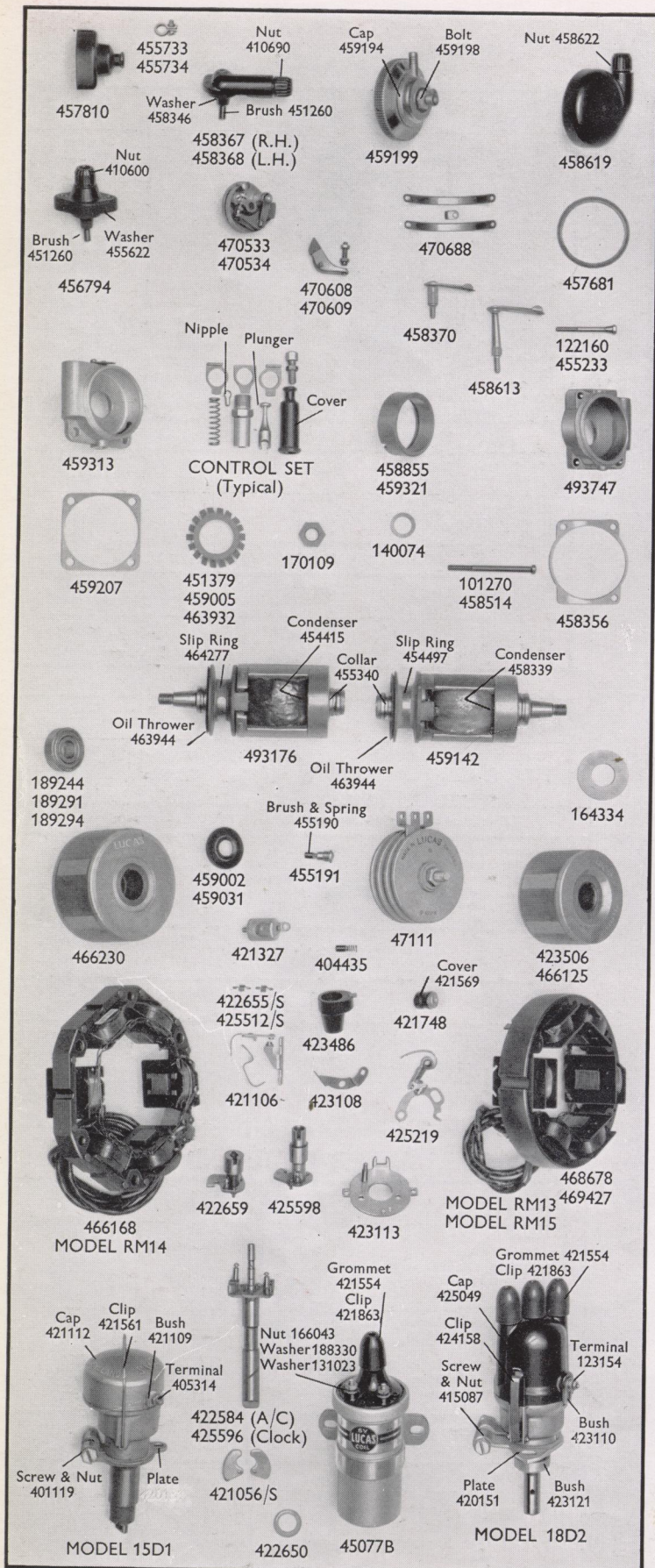
§Recommended spares for stock

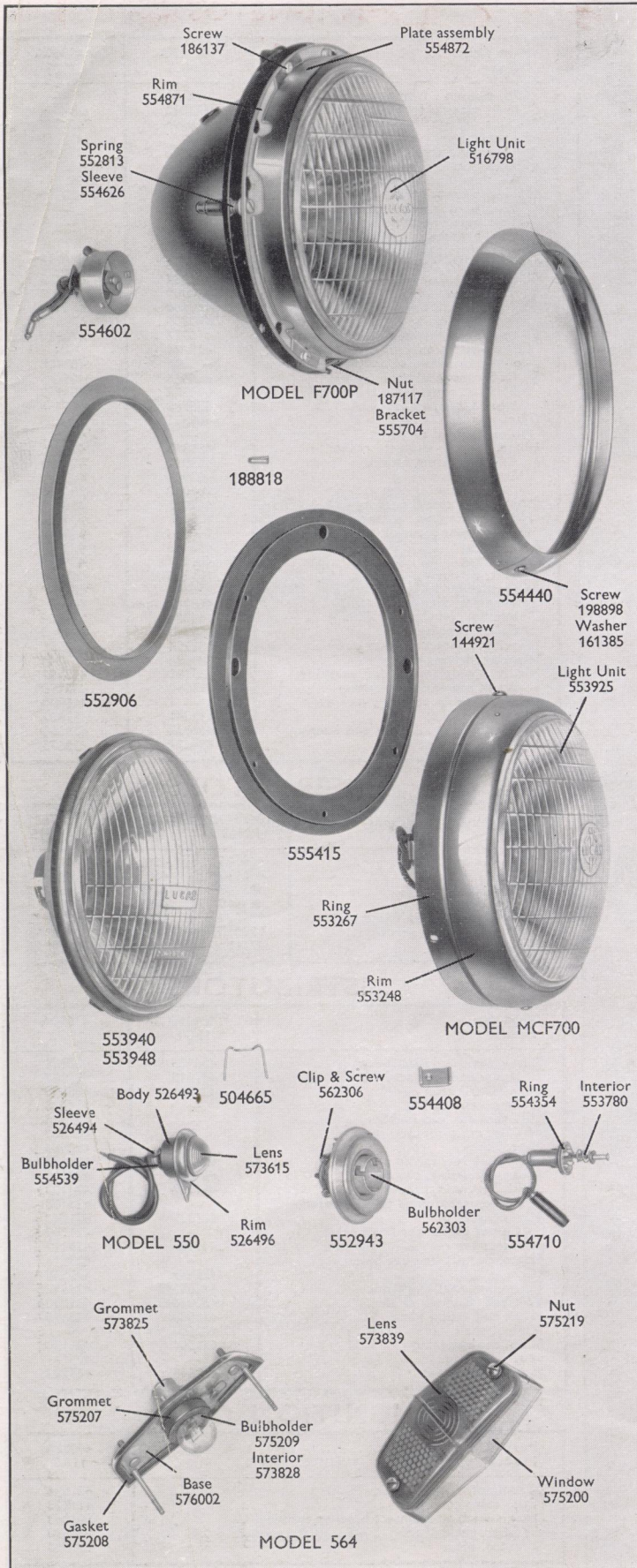
‡Order separately

\*Right hand

†For reference only, normally serviced by Stator and Rotor

||Left hand





## HEADLAMPS

### HOME AND EXPORT, VERTICAL DIP

Part No. Model	58258A F700P
§ Rim	554440
§ Screw, rim fixing	198898
§ Washer, screw retaining	161385
§ Nut, rim fixing screw	187117
§ Bracket, rim fixing	555704
§ Excluder, dust	552906
§ Plate, light unit retaining	554872
§ Screw, unit rim	186137
§ Rim, unit seating	554871
§ Light unit	516798
§ Bulbholder	554602
§ Sleeve, terminal	188818
§ Bulbholder, pilot	554710
§ Interior, pilot bulbholder	553780
§ Ring, bulbholder, seating	554354
§ Bulb, main	312
§ Bulb, pilot	988
§ Gasket, rubber	555415
§ Spring, trimmer	552813
§ Sleeve, sealing	554626

### HOME AND EXPORT, VERTICAL DIP

Part No. Model	50943E MCF700
§ Light unit	553925
§ Bulb holder	554602
§ Bulb	312

### EXPORT, EUROPE (NOT FRANCE)

Part No. Model	51112D MCF700
§ Light unit	553940
§ Bulbholder	554602
§ Bulb	403

### EXPORT, FRANCE

Part No. Model	51134D MCF700EF
§ Light unit	553948
§ Backshell	552943
§ Bulbholder	562303
§ Clip and screw, bulbholder	562306

Parts shown below are common to MCF700 lamps above

§ Rim or door	553248
§ Wire, light unit fixing	504665
§ Screw, rim fixing	144921
§ Plate, rim fixing	554408
§ Ring, fixing	553267
§ Sleeve, terminal	188818

## PILOT LAMP

Part No. Model	52234A 550
§ Rim or door	526496
§ Lens	573615
§ Bulbholder shell	554539
§ Interior, bulbholder	553780
§ Sleeve, earth	526494
§ Bulb	988
§ Body, rubber	526493

## STOP TAIL, NUMBER PLATE AND REFLEX LAMPS

Part No. Model	53394B 564	53432B 564
§ Lens	573839	573839
§ Window	575200	575200
§ Nut, barrel, lens fixing	575219	575219
§ Gasket, lens seating	575208	575208
§ Base	576002	576002
§ Grommet, bulbholder	575207	575207
§ Bulbholder, shell	575209	575209
§ Interior, bulbholder	573828	573828
§ Bulb	352	384
§ Grommet, cable	573825	573825
§ Nut, lamp fixing	166014	166014
§ Washer, shakeproof	188327	188327
§ Washer, fixing bolt, spacing	131023	131023

## BULBS 6 VOLT

Bulb No.	Watts	Description
312	30/24	Transverse, vertical dip
352	18/3	Transverse, offset pin
384	18/6	Transverse, offset pin
403	35/35	Bow-hooded, axial
988	3	Coil

§ Recommended spares for stock

## AMMETER

Part No.	Model	36084F	CZU27
§Nut, terminal	...	166043	185022
§Washer, terminal	...	185022	523986
§Ring, rubber	...	523986	

## HORNS

Part No.	Model	70142B	HF1849	069424	HF1234
§Bracket	...	—	—	703185	703339
Tone disc	...	705108	705114	178931	—
Nut, adjusting screw	...	166032	—	—	—
Washer, adjusting screw	...	131024	—	—	—
Screw, adjusting	...	705098	—	—	—
Screw, bracket (¼" B.S.F.)	...	—	—	145481	—
Cover	...	705085	—	—	—
Ring, cover sealing	...	705068	—	—	—
Support, cover	...	705086	—	—	—
Screw, cover fixing	...	113030	—	—	—
§Diaphragm	...	—	—	145491	703988
Nut, diaphragm fixing	...	—	—	184000	700238
Washer, diaphragm packing	...	—	—	700238	703233
§Contact set	...	—	—	703233	703004
Terminal block	...	—	—	703004	703004
§Sundry parts, set	...	—	—	703235	—

## HORN PUSH AND DIPPER SWITCH

Part No.	Model	31563D	25SA
Button and cover	...	380660	380658
Base and lever	...	380658	120610
§Screw, terminal	...	120610	—

## CUT-OUT SWITCH

Part No.	Model	76204A	4A
§Screw, terminal	...	119520	762229
Clip, fixing	...	762229	135480
§Screw, fixing	...	135480	153491
§Nut, fixing	...	153491	—

## LIGHTING SWITCH

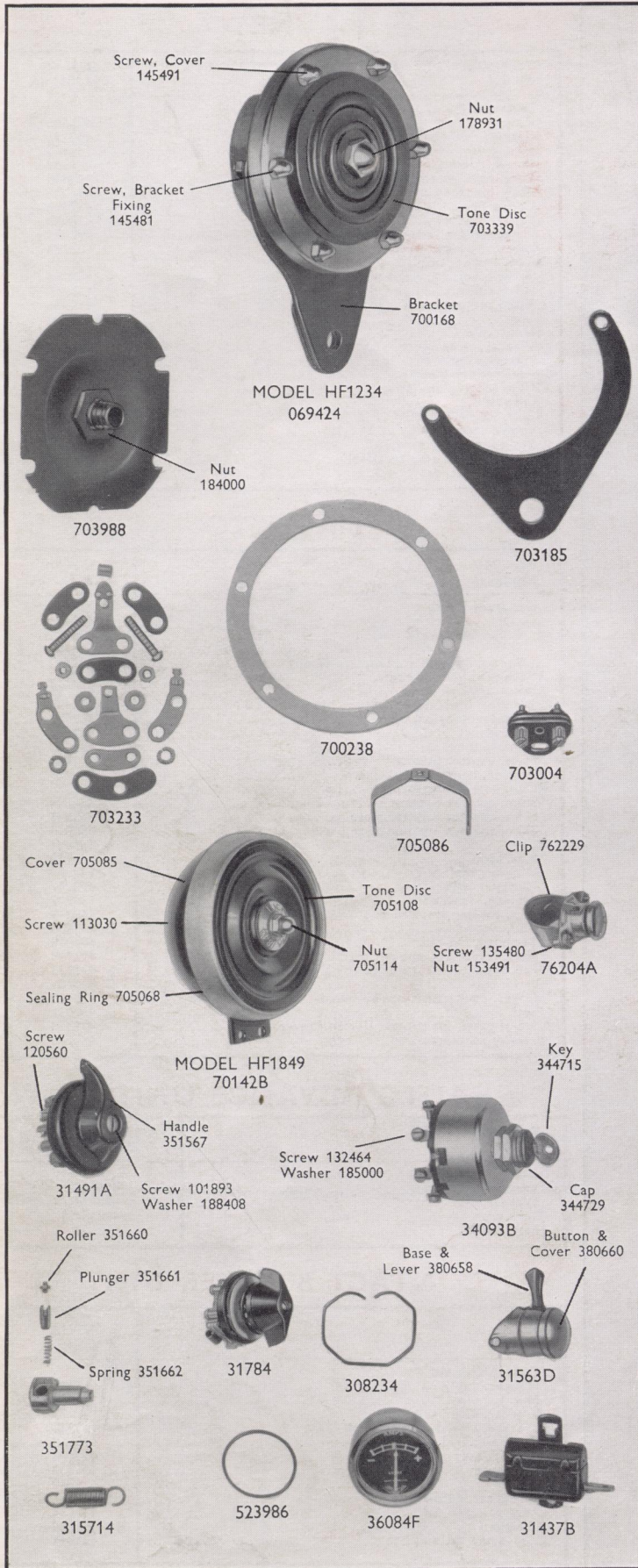
Part No.	Model	31491A	U39	31784A	41SA
§Handle or knob	...	351567	—	351815	127301
Screw, fixing	...	101893	—	185038	120560
§Washer, fixing screw	...	188408	—	120560	—
§Screw, terminal	...	120560	—	351660	54330517
Shaft, headpiece	...	351773	—	351660	351661
Roller	...	351660	—	351661	351662
Plunger	...	351661	—	351528	351528
Spring	...	351662	—	308234	—
Lever, contact	...	351528	—	523986	—
Spring, switch fixing	...	308234	—	166103	—
§Ring, rubber, switch fixing	...	523986	—	—	—
Nut, contact stud	...	166103	—	—	—

## IGNITION SWITCH

Part No.	Model	34093B	PR1-2
§Key, ignition	...	344715	344729
§Cap, rubber	...	344729	132464
§Screw, terminal	...	132464	185000
§Washer, terminal screw	...	185000	—

## STOP LAMP SWITCH

Part No.	Model	31437B	22B
†Spring	...	315714	—



§Recommended spares for stock

†Supplied separately